

AC and DC Powered Mezzo/Quattro-DB®
Sonic Transducer System
Eco Driven Solutions®

Quattro-DB®

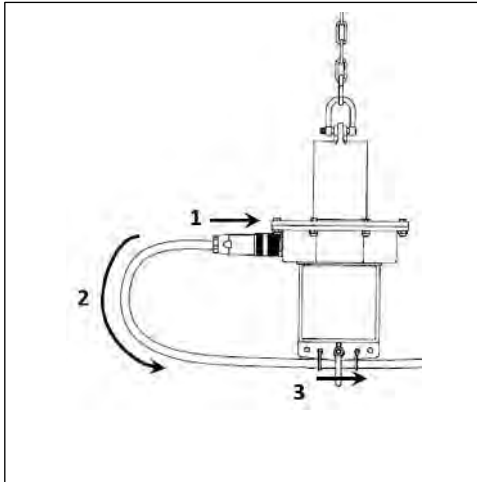


Figure A

Mezzo

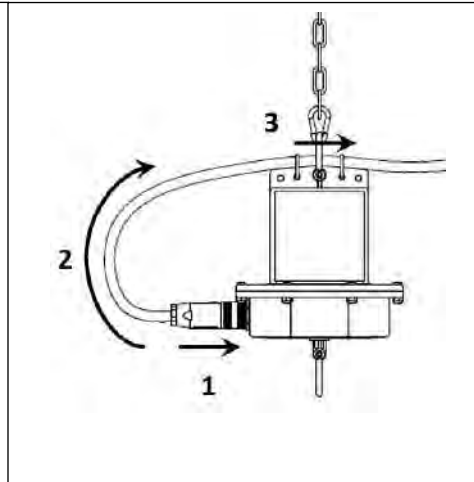


Figure B

Mezzo (with float arms*)

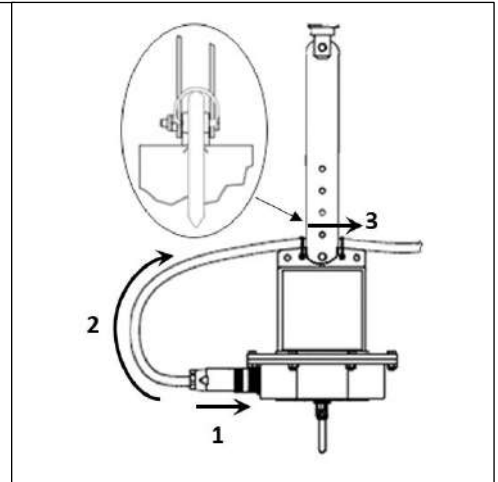


Figure C

IMPORTANT

**⚠ NEVER USE THE STRAIN RELIEF LOOP OR THE POWER CONNECTOR AS A HANDLE.
ALWAYS USE THE CHAIN ON THE TOP OF THE UNIT WHEN LIFTING THE TRANSDUCER.**

1. Apply No-Ox contact grease to end of the 5-Pin Transducer Power Cable and match the key-notch in the receptacle, push in, and rotate outer ring and FIRMLY HAND TIGHTEN into place.
2. Make a strain relief for the Power Cable by making a radial bend and securing it to the holes on the outside of Transducer with cable ties. Clip off excess cable tie straps with flush cut trimmers or scissors.
3. Attach the D-shackle to the center mounting hole on the transducer.

NOTE:

- Quattro transducers route the cable on the bottom of the device (see figure A).
- Mezzo transducers route the cable on the top of the device (see figure B).
- If using a Pontoon System for either transducer, route cable on top of device.

FLOAT ASSEMBLY QUICKSTART

4. Attach chain that connects the float assembly to the transducer with the snap link at the bottom of the chain.
5. Connect the bottom D-shackle to the customer supplied anchor. Adjust the anchor rope or chain so the anchor is laying on the bottom and there is some slack in the line to allow for wave action.

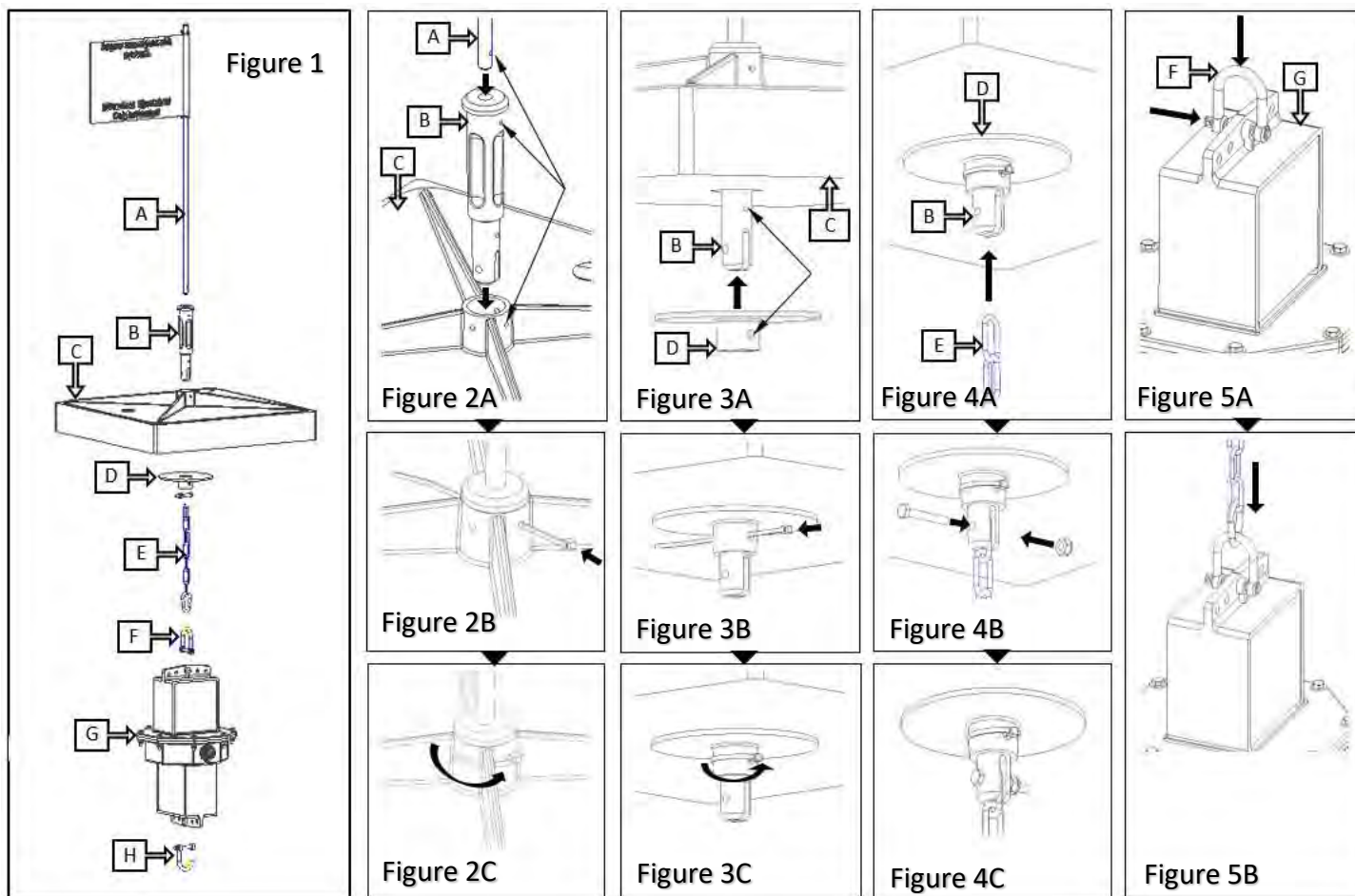
* NOTE: When using float arms on the Mezzo Transducer Head, place the two halves over the center mounting hole and thread the retaining bolt through all three parts and firmly hand tighten (see figure C).



For direct access to the latest copy of this manual, please snap this QR Code or refer to the *Product Manuals* section on our website @ <https://www.hydro-bioscience.com>

Manual P/N – MNUL0051-A001 Copyright © 2018 DPI

Sonic Transducer System



A	Flag Pole
B	Float Anchor Pin
C	Top Plate

D	Bottom Lock Ring
E	Chain
F	Top D-Ring
G	Sonic Head
H	Bottom D-Ring

1. Align holes of flag pole, float anchor pin, and top plate (see figure 2A). Thread Zip Tie through all three (see figure 2B), then wrap Zip Tie around and trim off excess (see figure 2C).
2. Align holes of float anchor pin and bottom locker ring (see figure 3A). Thread Zip Tie through both parts (see figure 3B), then wrap Zip Tie around and trim off excess (see figure 3C).
3. Insert chain into bottom slot of float anchor pin (see figure 4A). Place the 10-32 retaining bolt through both components (see figure 4B) and securely tighten the lock nut (see figure 4C).
4. Place top D-shackle over the top center hole on the Sonic Head and tighten retaining bolt (see figure 5A). Clip the snap link on the chain to the D-shackle (see figure 5B)